

# Trilogy<sup>®</sup> Air Spray and LVLP Gravity Fed Manual Spray Guns

Customer Product Manual

Part 1601055-03

Issued 02/16



**For parts and technical support, call the Industrial Coating Systems Customer Support Center at (800) 433-9319 or contact your local Nordson representative.**

This document is subject to change without notice.  
Check <http://emanuals.nordson.com> for the latest version.



NORDSON CORPORATION • AMHERST, OHIO • USA

# Table of Contents

<b>Safety</b> .....	<b>1</b>	<b>LVP Compliance Kit Installation and Use</b> .....	<b>9</b>
Qualified Personnel .....	1	Maximum Inlet Air Pressure	
Intended Use .....	1	for LVP Compliance .....	10
Regulations and Approvals .....	1	<b>Cleaning</b> .....	<b>10</b>
Personal Safety .....	2	Lubrication .....	11
High-Pressure Fluids .....	2	<b>Troubleshooting</b> .....	<b>11</b>
Fire Safety .....	3	<b>Repair</b> .....	<b>11</b>
Halogenated Hydrocarbon Solvent Hazards ..	4	Replacing the Air Cap and Nozzle .....	11
Action in the Event of a Malfunction .....	4	Needle Removal .....	12
Disposal .....	4	Nozzle and Air Cap Removal .....	12
<b>Description</b> .....	<b>5</b>	Assembly .....	12
Specifications .....	5	Replacing the Needle Seal .....	12
<b>Declaration of Conformity</b> .....	<b>6</b>	<b>Parts</b> .....	<b>12</b>
<b>Installation</b> .....	<b>7</b>	<b>Options</b> .....	<b>14</b>
<b>Operation</b> .....	<b>7</b>		
Atomizing Air Adjustment .....	8		
Material Flow Adjustment .....	8		
Fan Pattern Adjustment .....	8		
Air Cap Adjustment .....	8		
Coating Tips .....	8		

---

## Contact Us

Nordson Corporation welcomes requests for information, comments, and inquiries about its products. General information about Nordson can be found on the Internet using the following address:  
<http://www.nordson.com>.

Address all correspondence to:

Nordson Corporation  
Attn: Customer Service  
555 Jackson Street  
Amherst, OH 44001

## Notice

This is a Nordson Corporation publication which is protected by copyright. Original copyright date 2012. No part of this document may be photocopied, reproduced, or translated to another language without the prior written consent of Nordson Corporation. The information contained in this publication is subject to change without notice.

## Trademarks

Trilogy, Nordson and the Nordson logo are registered trademarks of Nordson Corporation.

All other trademarks are the property of their respective owners.

# Change Record

Revision	Date	Change
03	02/16	Removed obsolete part numbers.



# Trilogy® Air Spray and LVLP Gravity Fed Manual Spray Guns

## Safety

Read and follow these safety instructions. Task- and equipment-specific warnings, cautions, and instructions are included in equipment documentation where appropriate.

Make sure all equipment documentation, including these instructions, is accessible to persons operating or servicing equipment.

## *Qualified Personnel*

Equipment owners are responsible for making sure that Nordson equipment is installed, operated, and serviced by qualified personnel. Qualified personnel are those employees or contractors who are trained to safely perform their assigned tasks. They are familiar with all relevant safety rules and regulations and are physically capable of performing their assigned tasks.

## *Intended Use*

Use of Nordson equipment in ways other than those described in the documentation supplied with the equipment may result in injury to persons or damage to property.

Some examples of unintended use of equipment include

- using incompatible materials
- making unauthorized modifications
- removing or bypassing safety guards or interlocks
- using incompatible or damaged parts
- using unapproved auxiliary equipment
- operating equipment in excess of maximum ratings

## *Regulations and Approvals*

Make sure all equipment is rated and approved for the environment in which it is used. Any approvals obtained for Nordson equipment will be voided if instructions for installation, operation, and service are not followed.

## **Personal Safety**

To prevent injury follow these instructions.

- Do not operate or service equipment unless you are qualified.
- Do not operate equipment unless safety guards, doors, or covers are intact and automatic interlocks are operating properly. Do not bypass or disarm any safety devices.
- Keep clear of moving equipment. Before adjusting or servicing moving equipment, shut off the power supply and wait until the equipment comes to a complete stop. Lock out power and secure the equipment to prevent unexpected movement.
- Relieve (bleed off) hydraulic and pneumatic pressure before adjusting or servicing pressurized systems or components. Disconnect, lock out, and tag switches before servicing electrical equipment.
- While operating manual spray guns, make sure you are grounded. Wear electrically conductive gloves or a grounding strap connected to the gun handle or other true earth ground. Do not wear or carry metallic objects such as jewelry or tools.
- If you receive even a slight electrical shock, shut down all electrical or electrostatic equipment immediately. Do not restart the equipment until the problem has been identified and corrected.
- Obtain and read Safety Data Sheets (SDS) for all materials used. Follow the manufacturer's instructions for safe handling and use of materials, and use recommended personal protection devices.
- Make sure the spray area is adequately ventilated.
- To prevent injury, be aware of less-obvious dangers in the workplace that often cannot be completely eliminated, such as hot surfaces, sharp edges, energized electrical circuits, and moving parts that cannot be enclosed or otherwise guarded for practical reasons.

### **High-Pressure Fluids**

High-pressure fluids, unless they are safely contained, are extremely hazardous. Always relieve fluid pressure before adjusting or servicing high pressure equipment. A jet of high-pressure fluid can cut like a knife and cause serious bodily injury, amputation, or death. Fluids penetrating the skin can also cause toxic poisoning.

If you suffer a fluid injection injury, seek medical care immediately. If possible, provide a copy of the SDS for the injected fluid to the health care provider.

The National Spray Equipment Manufacturers Association has created a wallet card that you should carry when you are operating high-pressure spray equipment. These cards are supplied with your equipment. The following is the text of this card:



**WARNING:** Any injury caused by high pressure liquid can be serious. If you are injured or even suspect an injury:

- Go to an emergency room immediately.
- Tell the doctor that you suspect an injection injury.
- Show him this card
- Tell him what kind of material you were spraying

#### MEDICAL ALERT—AIRLESS SPRAY WOUNDS: NOTE TO PHYSICIAN

Injection in the skin is a serious traumatic injury. It is important to treat the injury surgically as soon as possible. Do not delay treatment to research toxicity. Toxicity is a concern with some exotic coatings injected directly into the bloodstream.

Consultation with a plastic surgeon or a reconstructive hand surgeon may be advisable.

The seriousness of the wound depends on where the injury is on the body, whether the substance hit something on its way in and deflected causing more damage, and many other variables including skin microflora residing in the paint or gun which are blasted into the wound. If the injected paint contains acrylic latex and titanium dioxide that damage the tissue's resistance to infection, bacterial growth will flourish. The treatment that doctors recommend for an injection injury to the hand includes immediate decompression of the closed vascular compartments of the hand to release the underlying tissue distended by the injected paint, judicious wound debridement, and immediate antibiotic treatment.

## ***Fire Safety***

To avoid a fire or explosion, follow these instructions.

- Ground all conductive equipment. Use only grounded air and fluid hoses. Check equipment and workpiece grounding devices regularly. Resistance to ground must not exceed one megohm.
- Shut down all equipment immediately if you notice static sparking or arcing. Do not restart the equipment until the cause has been identified and corrected.
- Do not smoke, weld, grind, or use open flames where flammable materials are being used or stored.
- Do not heat materials to temperatures above those recommended by the manufacturer. Make sure heat monitoring and limiting devices are working properly.

## **Fire Safety** (contd)

- Provide adequate ventilation to prevent dangerous concentrations of volatile particles or vapors. Refer to local codes or your material SDS for guidance.
- Do not disconnect live electrical circuits when working with flammable materials. Shut off power at a disconnect switch first to prevent sparking.
- Know where emergency stop buttons, shutoff valves, and fire extinguishers are located. If a fire starts in a spray booth, immediately shut off the spray system and exhaust fans.
- Shut off electrostatic power and ground the charging system before adjusting, cleaning, or repairing electrostatic equipment.
- Clean, maintain, test, and repair equipment according to the instructions in your equipment documentation.
- Use only replacement parts that are designed for use with original equipment. Contact your Nordson representative for parts information and advice.

## **Halogenated Hydrocarbon Solvent Hazards**

Do not use halogenated hydrocarbon solvents in a pressurized system that contains aluminum components. Under pressure, these solvents can react with aluminum and explode, causing injury, death, or property damage. Halogenated hydrocarbon solvents contain one or more of the following elements:

<u>Element</u>	<u>Symbol</u>	<u>Prefix</u>
Fluorine	F	“Fluoro-”
Chlorine	Cl	“Chloro-”
Bromine	Br	“Bromo-”
Iodine	I	“Iodo-”

Check your material SDS or contact your material supplier for more information. If you must use halogenated hydrocarbon solvents, contact your Nordson representative for information about compatible Nordson components.

## **Action in the Event of a Malfunction**

If a system or any equipment in a system malfunctions, shut off the system immediately and perform the following steps:

- Disconnect and lock out system electrical power. Close hydraulic and pneumatic shutoff valves and relieve pressures.
- Identify the reason for the malfunction and correct it before restarting the system.

## **Disposal**

Dispose of equipment and materials used in operation and servicing according to local codes.



## Description

The Trilogy Air Spray and LVLP Gravity Fed Manual Spray Guns are compressed-air operated low-pressure manual spray guns for the application of sprayable fluids at air pressures of 2.0–2.5 bar (28–35 psi).


The guns are differentiated by the type of air cap used. A gun may be converted from Air Spray to LVLP (low volume, low pressure) or vice-versa simply by changing the air cap. The Air Spray guns are used for fine atomization and clear coats. The LVLP guns are used for high transfer efficiency and base coats.

Refer to *Options* for nozzles, air caps, needles, and nozzle kits in different sizes, and air compliance caps and gauge kits to test air flow and ensure compliance with regulations. Refer to *Compliance Kit Installation and Use* for instructions.

Also available are adapters that install on the gravity cup fitting for use with the disposable paint cups of the 3M™ PPS™ (Paint Preparation System) or the HSM SPA-System.

## Specifications

Item	Specification
Weight (without cup)	480 grams (1.05 lb)
Maximum Air Pressure	6.0 bar (85 psi)
Recommended Operating Air Pressure	2.0–2.5 bar (28–35 psi)
Maximum Material Temperature	Without protective gloves: 40 °C (104 °F) With protective gloves: 60 °C (140 °F)
Material Flow Rate	295 grams/min with the following: Nozzle Size: 1.4 mm Air Pressure: 2.5 bar (35 psi) Viscosity: 18 sec DIN 4 mm at 20 °C (68 °F)
Air Spray Air Consumption at 2.5 bar (35 psi)	6.7–13.6 m <sup>3</sup> /h (3.9–82 cfm)
LVLP Air Consumption at 2.5 bar (35 psi)	7.1–14.8m <sup>3</sup> /h (4.2–8.7 cfm)
Sound Pressure Level <sup>(A)</sup>	2 bar (28 psi): 76 dB/A
(A) Sound pressure level measurements and specifications are in accordance with <i>Third regulation to apparatus safety law DIN 45635 part 1/04.84</i> .	

<b>CE</b>	<b>DECLARATION OF CONFORMITY</b> <b>according to the EC Guidelines for Machines</b>
<p>Nordson Corporation, Westlake, Ohio, USA, declares under our sole responsibility that the product: <b>Trilogy Manual Spray Guns</b> Models: <b>AAA, AAA LT, GP, AC, AS and LVLP Gravity Fed, AS and LVLP Siphon Fed</b></p> <ul style="list-style-type: none"><li>• Conforms with the relevant regulations of the EC machine guidelines (2006/42/EC), including their changes at this time period.</li><li>• Conforms with further relevant regulations of the EC machine guidelines including their changes at this time period.<ul style="list-style-type: none"><li>• Directive 94/9/EC – Equipment in explosion endangered environments. Use in zone 1; equipment of category 2</li></ul></li><li>• The following harmonized standards ( or parts from this ) were used:<ul style="list-style-type: none"><li>• DIN EN ISO 12100, 2011: Safety of machines</li><li>• EN 349 Minimum distances to avoid stem presses</li><li>• DIN EN ISO 3741 Noise formation</li><li>• ISO 7731 Noise protection regulations</li><li>• DIN EN 1953, 1998-12 Spraying apparatus for coating materials – Safety requirements</li><li>• DIN EN 13463-1 Non electric devices for using in explosion endangered areas</li></ul></li><li>• The following national technical standards and specifications were used:<ul style="list-style-type: none"><li>• EN 614 Ergonomic formation basic principles</li></ul></li></ul> <p> Justin Hall Engineering Manager, Industrial Coating Systems</p> <p style="text-align: right;">1 March 2012</p> <p>Nordson Authorized Representative in the EU Contact: Operations Manager Industrial Coating Systems Nordson Deutschland GmbH Heinrich-Hertz-StraBe 42-44 D-40699 Erkrath</p>	

## Installation

See Figure 1.

**Air connection:** Connect an air hose to the quick-connect coupling (6). The compressed air supply should be clean and dry. Use an appropriate filter/regulator.

**Flushing:** Before using your spray gun for production, flush the spray gun to remove any oil and contaminants left over from the manufacturing process.

1. Thread the paint cup onto the gun.
2. Pour a small amount of solvent or waterborne cleaning solution compatible with your paint into the cup.
3. With the spray gun touching the side of a grounded waste container, spray into the container for a minute or two.

## Operation

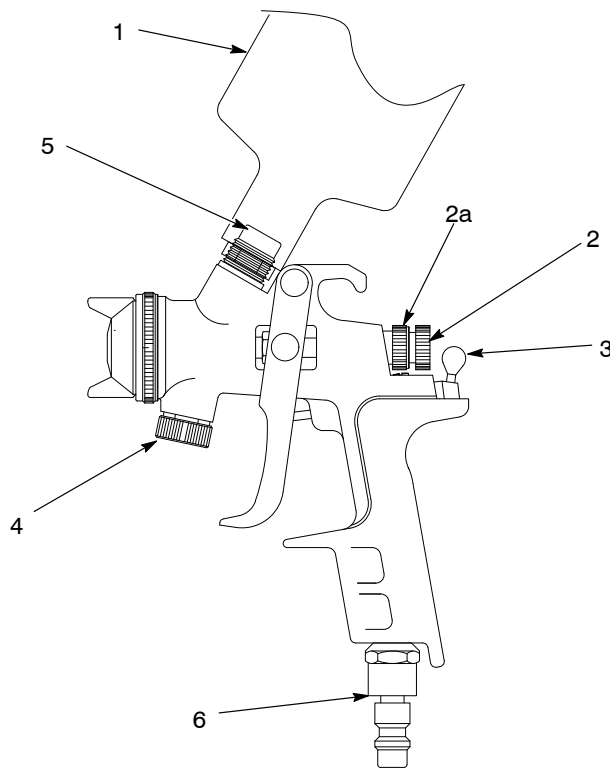


Figure 1 Trilogy Air Spray and LVLP Gun Components

- |                            |                            |                                  |
|----------------------------|----------------------------|----------------------------------|
| 1. Paint cup               | 3. Atomizing air regulator | 5. Paint cup fitting             |
| 2. Material flow regulator | 4. Fan pattern regulator   | 6. Air quick-disconnect coupling |
| 2a. Lock nut               |                            |                                  |

## ***Atomizing Air Adjustment***

See Figure 1. Use the atomizing air regulator (3) to adjust atomizing air flow.

- Rotate the regulator (3) to the right (clockwise) to increase atomizing air.
- Rotate the regulator to the left (counterclockwise) to decrease atomizing air.

## ***Material Flow Adjustment***

See Figure 1. The material flow regulator (2) controls the material flow rate. Loosen the lock nut (2a) before turning the knob.

- Rotate the regulator to the right (clockwise) to decrease material flow.
- Rotate the regulator to the left (counter-clockwise) to increase material flow.

## ***Fan Pattern Adjustment***

See Figure 1. The fan pattern regulator (4) adjusts the shape of the spray pattern from flat to round.

- Rotate the regulator to the right (clockwise) for a round pattern.
- Rotate the regulator to the left (counter-clockwise) for a flat pattern.

## ***Air Cap Adjustment***

See Figure 2. The position of the atomization air cap and the nozzle determines the orientation of the fan pattern.

1. Loosen the air cap retaining ring.
2. Rotate the air cap to the desired position, hold it in position, then tighten the retaining ring securely.

## ***Coating Tips***

See Figure 2. Use these tips to help you obtain a quality coating:

- Hold the spray gun at a 90 degree angle to the surface being coated. If held at a different angle, the coverage will be uneven and flawed.
- Use your arm, not your wrist, to move the gun parallel to the surface. Do not wave the gun with your wrist.
- Begin moving the spray gun before pulling the trigger. Move the gun back and forth at an even speed. This will ensure even, smooth overlapping patterns without any buildup where the trigger is pulled.
- Release the trigger before stopping arm movements.
- Immerse the gun nozzle in solvent or waterborne cleaning solution during pauses in production to prevent coating material from hardening on the nozzle.

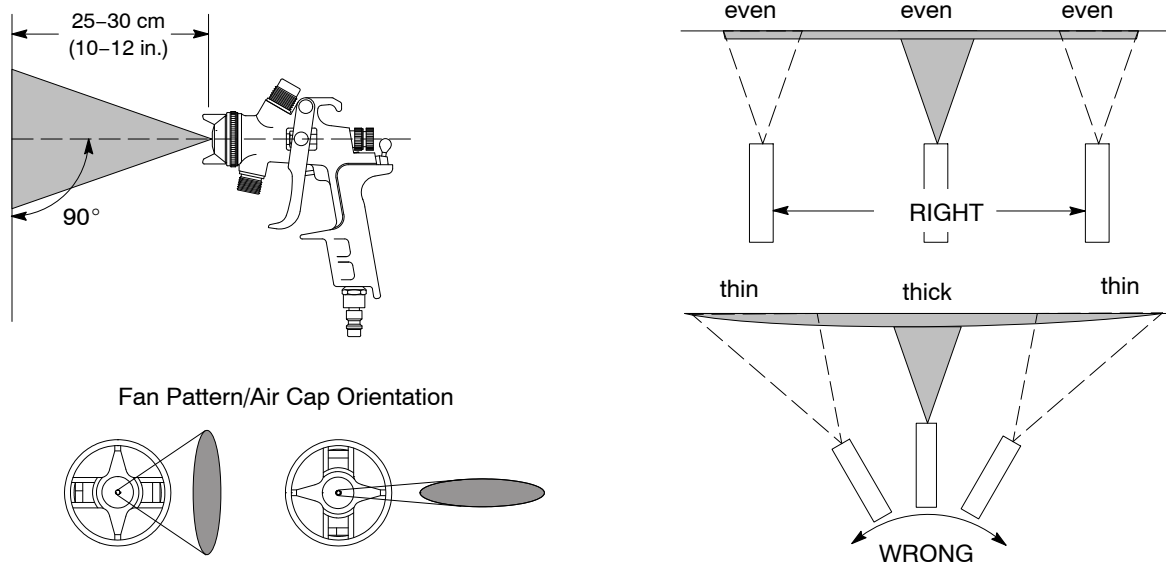


Figure 2 Spray Gun Operation

## LVLP Compliance Kit Installation and Use



**CAUTION:** If your location is subject to VOC emission regulations, make sure your spray gun atomizing pressure is 0.69 bar (10 psi) or less by testing with a compliance air cap. Refer to the chart on the following page for maximum air inlet settings to achieve the 10 psi or less LVLP rating.

**NOTE:** The gauge kit and the compliance air caps are sold separately. Order one gauge kit, and compliance air caps of the same size as the production caps you normally use.

1. See Figure 3. Remove the paint cup from the gun so you do not spray paint during the test.
2. Remove the retainer and production air cap from the gun. Install the compliance air cap on the gun and tighten the retainer securely. (The compliance air cap comes with its own retainer.)
3. Connect the gauges to the air cap.
4. Turn the atomizing air regulator all the way to MAX.
5. Pull the trigger all the way back to allow full flow of air.
6. Check the air pressure gauges. Both atomizing and horn pressures must be 0.69 bar (10 psi) or less. If either is higher, reduce the pressure.
7. Reinstall the production air cap and paint cup and check the fluid atomization. You can check the atomization with the compliance air cap installed, just make sure the gauge tubing does not impinge the spray or kink.

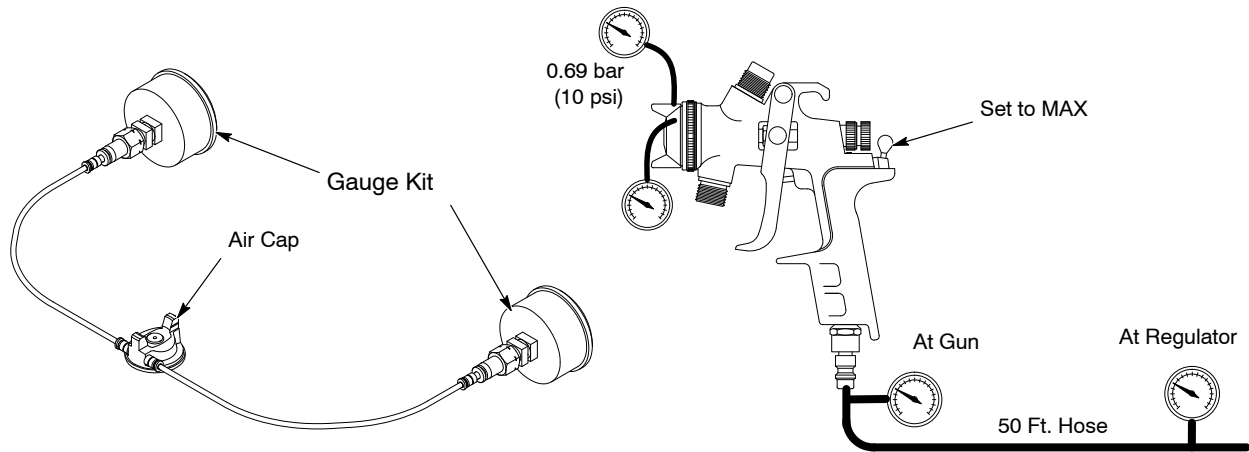


Figure 3 Compliance Air Cap and Gauge Kit Installation and Use

**Maximum Inlet Air Pressure for LVLP Compliance**

The following table provides air pressure settings to use as approximate starting points. The results can vary; use the gauge kit and compliance air cap to ensure that the air output does not exceed 0.69 bar (10 psi).

Size	Pattern Setting	Inlet Pressure		Air Cap Atomizing Pressure
		At Gun	At Regulator (A)	
A	Flat	1.9 bar (27.5 psi)	1.8 bar (25.5 psi)	0.69 bar (10 psi)
	Round	1.7 bar (25 psi)	2.3 bar (32.5 psi)	0.69 bar (10 psi)
A1	Flat	1.9 bar (27.5 psi)	2.2 bar (32 psi)	0.69 bar (10 psi)
	Round	1.8 bar (25.5 psi)	1.8 bar (26 psi)	0.69 bar (10 psi)
B	Flat	2.3 bar (33 psi)	2.6 bar (37 psi)	0.69 bar (10 psi)
	Round	2.6 bar (38 psi)	2.9 bar (41.5 psi)	0.69 bar (10 psi)
C	Flat	2.6 bar (37.5 psi)	2.8 bar (41 psi)	0.69 bar (10 psi)
	Round	5.2 bar (76 psi)	5.3 bar (77.5 psi)	0.69 bar (10 psi)
D	Flat	2.5 bar (37 psi)	2.9 bar (42.5 psi)	0.69 bar (10 psi)
	Round	6.0 bar (88 psi)	6.3 bar (91 psi)	0.69 bar (10 psi)

NOTE A: Pressure readings at regulator made using 50 ft of 3/8 in. hose.

**Cleaning**

1. Flush the spray gun as described on page 7.
2. Relieve the air pressure.
3. Remove the air cap and clean the fluid nozzle with the supplied cleaning brush and solvent or waterborne cleaning solution compatible with the paint you are using.

**NOTE:** Use only properly sized tools designed for nozzle cleaning to clean the nozzle orifice. Contact your Nordson representative for nozzle cleaning kits.

## Lubrication

See Figure 4. The trigger pin (18), valve pin (12B), and paint needle (6) should be lubricated with silicone-free oil daily.

## Troubleshooting



**WARNING:** Allow only qualified personnel to perform the following tasks. Follow the safety instructions in this document and all other related documentation.

These troubleshooting procedures cover only the most common problems. If you cannot solve a problem with the information given here, contact your local Nordson representative for help. See Figure 4 for parts information.

Problem	Possible Cause	Corrective Action
<b>1. Irregular pattern</b>	Air cap not tightened correctly or dirty	Check air cap (1), clean if necessary.
	Fluid nozzle installed incorrectly	Check fluid nozzle (2).
	Fluid nozzle not tightened correctly	Tighten fluid nozzle.
	Fluid nozzle cracked at orifice	Replace fluid nozzle.
<b>2. Paint leaking from needle packing gland</b>	Packing gland not tightened correctly	Tighten packing gland (5) slightly.
	Needle seal worn	Replace seal (4).
<b>3. Paint dripping from fluid nozzle</b>	Fluid nozzle loose, cracked, or worn	Tighten nozzle, replace if damaged or worn.
	Needle packing gland overtightened	Adjust packing gland (5) so needle moves freely.
	Needle tension spring weak	Replace spring (7).
<b>4. Spray gun leaking air</b>	Air valve worn	Replace air valve (12a).
<b>5. Spray gun leaking air from fan adjustment screw</b>	Fan adjustment screw worn	Replace fan adjustment screw (16).

## Repair



**WARNING:** Allow only qualified personnel to perform the following tasks. Follow the safety instructions in this document and all other related documentation.

See Figure 4 for all repair procedures.

### Replacing the Air Cap and Nozzle

The air cap(1), nozzle (2), seal (3), and needle(6) can be replaced separately or all at the same time with a nozzle kit.

### **Needle Removal**

1. Loosen the lock nut (8).
2. Unscrew the retaining screw (9).
3. Remove the the needle pressure spring (7).
4. Pull the trigger (21) to push the needle back.
5. Pull the needle (6) out of the gun.

### **Nozzle and Air Cap Removal**

1. Unscrew the air cap (1).
2. Unscrew the fluid nozzle (2) with a 14-mm wrench.
3. Check the seal (3) and replace it if is damaged.

### **Assembly**

1. Thread the fluid nozzle (2) and seal (3) into the gun and tighten securely.
2. Thread the air cap (1) onto the nozzle and tighten it securely.
3. Insert the needle (6) into the gun.
4. Install the pressure spring (7) over the needle and fully into the gun.
5. Thread the retaining screw (9) and lock nut (8) into the gun.
6. Before putting the gun back into production, adjust the material flow, then tighten the lock nut (8).

### ***Replacing the Needle Seal***

1. Remove the needle (6) as described in *Needle Removal*.
2. Remove the two external retaining rings(20) from the axle and driver pins (18, 19), then remove the pins and trigger (21).
3. Unscrew the needle packing gland (5).
4. Remove the needle seal (4) and replace it with a new seal.
5. Thread the needle packing gland (5) into the gun body. Do not tighten.
6. Install the needle (6) into the gun, then tighten the needle packing gland slightly. The needle must be movable by hand, without allowing fluid through the seal.
7. Install the trigger and the pressure spring, retaining screw, and lock nut as described in *Assembly*. Adjust material flow before putting the gun back into production.

## **Parts**

To order parts, call the Nordson Finishing Customer Support Center at (800) 433-9319 or contact your local Nordson representative. For customers outside the USA, refer to the list of Nordson Global Locations at [www.nordson.com](http://www.nordson.com).

Refer to the parts illustration and lists on the following pages.



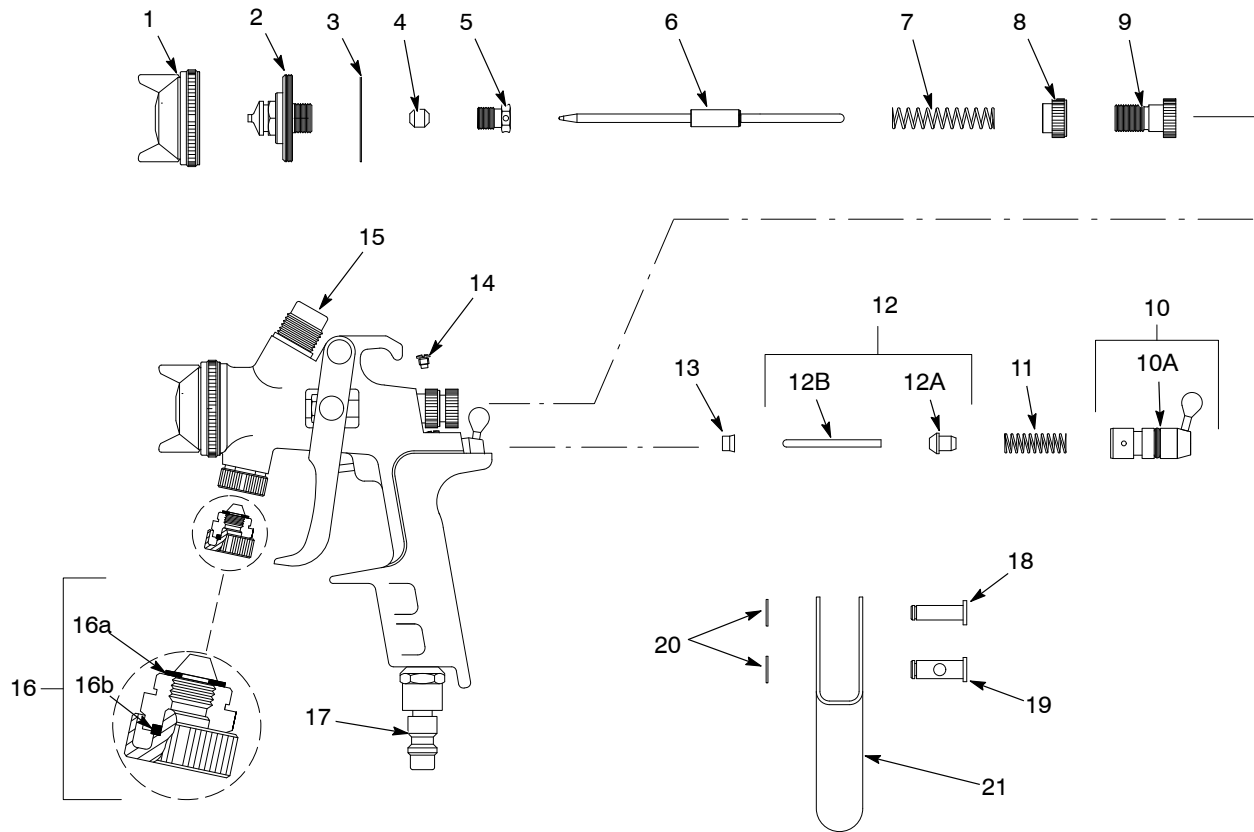


Figure 4 Trilogy AS and LVLP Gravity Fed Spray Gun Parts

Item	Part	Description	Quantity	Note
1	1600926	• Air cap, 0.5–1.2 mm, AS, Trilogy NES	1	A
1	1600929	• Air cap, 0.5–1.2 mm, LVLP, AS, Trilogy NES	1	A
2	1600901	• Nozzle, 1.0 mm, AS, Trilogy NES	1	A
3	-----	• Seal	1	B, C
4	-----	• Seal, needle	1	B, C
5	-----	• Packing gland, needle	1	C
6	1600946	• Needle, 1.0 mm, AS, Trilogy NES	1	A
7	-----	• Spring, pressure	1	C
8	1600865	• Nut, lock, needle tension, AS, Trilogy NES	1	
9	1600866	• Screw, retaining, AS, Trilogy NES	1	
10	1600870	• Regulator, air, AS, Trilogy NES	1	
10A	-----	• • O-ring, 8.5 x 2	1	B, C
11	-----	• Spring, pressure	1	C
12	1600859	• Pin, valve, trigger air, Trilogy NES	1	
12A	-----	• • Valve, air	1	B, C
12B	-----	• • Pin, air valve	1	C
13	1600862	• Seal, air valve, AS, Trilogy NES	1	
14	1600863	• Screw, retaining, AS, Trilogy NES	1	
15	1600858	• Fitting, cup, Trilogy NES	1	
16	1600869	• Regulator, fan, AS, Trilogy NES	1	
16A	-----	• • Ring, retaining, external, 5 mm dia, DIN6799	1	

Continued...

Item	Part	Description	Quantity	Note
16B	-----	• • Seal	1	B, C
17	1600845	• Coupling, air, QC, swivel, US, Trilogy NES	1	A, D
17	1600844	• Coupling, air, QC, swivel, EU, Trilogy NES	1	A, E
17	1600846	• Coupling, air, QC, swivel, Asia, Trilogy NES		F
18	-----	• Axle, trigger	1	C
19	-----	• Pin, driver, trigger	1	C
20	-----	• Ring, retaining, external, 5 mm dia., DIN6799	2	
21	1600871	• Trigger, AS, Trilogy NES	1	
NS	1600874	• Cup, gravity, nylon, 600 ml, Trilogy NES	1	A

NOTE A: Also available in additional sizes and types. Refer to the Options list.  
 B: Included in 1600872 Kit, seal, AS, Trilogy NES (AS and LVLP seal kit).  
 C: Included in 1600873 Kit, repair, AS, Trilogy NES (AS and LVLP repair kit).  
 D: Used on 1600765 and 1600767 guns.  
 E: Used on 1600797 and 1600799 metric guns.  
 F: Optional, not included with guns. Must be ordered separately.

## Options

Part	Description	Note
<b>Nozzles – Air Spray and LVLP</b>		
1600901	Nozzle, 1.0 mm, AS, Trilogy NES	
1600902	Nozzle, 1.5 mm, AS, Trilogy NES	
1600903	Nozzle, 1.8 mm, AS, Trilogy NES	
1600904	Nozzle, 2.0 mm, AS, Trilogy NES	
<b>Air Caps – Air Spray</b>		
1600926	Air cap, 0.5–1.2 mm, AS, Trilogy NES	
1600927	Air cap, 1.3–1.6 mm, AS, Trilogy NES	
1600928	Air cap, 1.8–2.5 mm, AS, Trilogy NES	
1600984	Air cap, 0.5–1.2 mm, round, AS, Trilogy NES	
1600985	Air cap, 1.3–1.6 mm, round, AS, Trilogy NES	
1600986	Air cap, 1.8–2.5 mm, round, AS, Trilogy NES	
<b>Air Caps – LVLP</b>		
1600929	Air cap, 0.5–1.2 mm, LVLP, AS, Trilogy NES	
1600930	Air cap, 1.3–1.6 mm, LVLP, AS, Trilogy NES	
1600931	Air cap, 1.8–2.5 mm, LVLP, AS, Trilogy NES	
<b>Needles</b>		
1600946	Needle, 1.0 mm, AS, Trilogy NES	
1600947	Needle, 1.5 mm, AS, Trilogy NES	
1600948	Needle, 1.8 mm, AS, Trilogy NES	
1600949	Needle, 2.0 mm, AS, Trilogy NES	

*Continued...*

Part	Description	Note
<b>Nozzle Kits – Air Spray (includes air cap (1), nozzle (2), seal (3), and needle (6))</b>		
1600968	Kit, nozzle, 1.0 mm, AS, Trilogy NES	
1600969	Kit, nozzle, 1.5 mm, AS, Trilogy NES	
1600970	Kit, nozzle, 1.8 mm, AS, Trilogy NES	
1600971	Kit, nozzle, 2.0 mm, AS, Trilogy NES	
1600988	Kit, nozzle, 1.0 mm, round, AS, Trilogy NES	
1600989	Kit, nozzle, 1.5 mm, round, AS, Trilogy NES	
1600990	Kit, nozzle, 1.8 mm, round, AS, Trilogy NES	
1600991	Kit, nozzle, 2.0 mm, round, AS, Trilogy NES	
<b>Nozzle Kits – LVLP (includes air cap (1), nozzle (2), seal (3), and needle (6))</b>		
1600972	Kit, nozzle, 1.0 mm, LVLP, AS, Trilogy NES	
1600973	Kit, nozzle, 1.5 mm, LVLP, AS, Trilogy NES	
1600974	Kit, nozzle, 1.8 mm, LVLP, AS, Trilogy NES	
1600975	Kit, nozzle, 2.0 mm, LVLP, AS, Trilogy NES	
<b>Cup Filters</b>		
1601023	Filter, cup, .23 mm, quantity 10, Trilogy NES	
1601031	Filter, cup, .10 mm, quantity 10, Trilogy NES	
<b>Miscellaneous Options</b>		
1600875	Cup, gravity, nylon, 125 ml, Trilogy NES	
1600846	Coupling, air, QC, swivel, Asia, Trilogy NES	
1603907	Adapter, PPS, 44, Trilogy NES	A
1603920	Adapter, SPA, Trilogy NES	B
<b>Air Compliance Caps and Gauge Kit</b>		
1603861	Cap, air, test, Trilogy, gravity/siphon, size A (0.5–1.0 mm)	C
1603862	Cap, air, test, Trilogy, gravity/siphon, size A1 (1.2 mm)	C
1603863	Cap, air, test, Trilogy, gravity/siphon, size B (1.3–1.6 mm)	C
1603864	Cap, air, test, Trilogy, gravity/siphon, size C (1.8–2.5 mm)	C
1603865	Cap, air, test, Trilogy, gravity/siphon, size D (3.0 mm)	C
1603912	Kit, pressure gauge, air compliance	
NOTE A: Use with 3M PPS System. B: Use with HSM SPA System. C: Order air caps for nozzle sizes you use (size ranges in parenthesis).		

